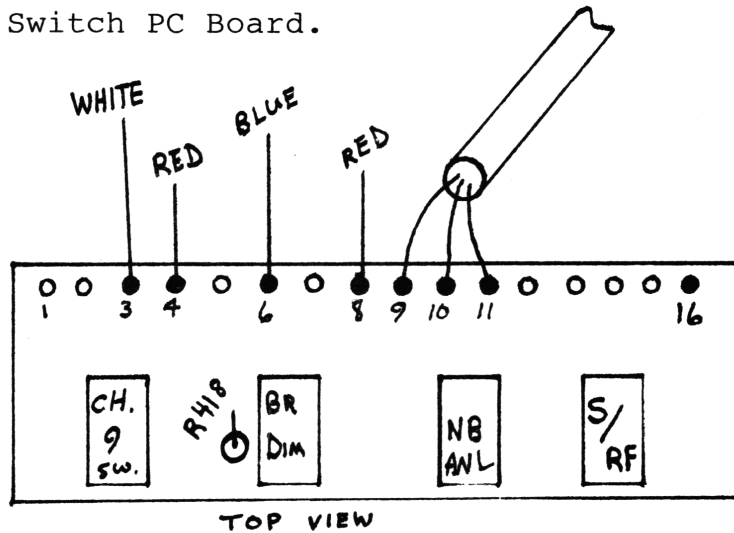


PRESIDENT GRANT (8719)

How to put extra channels on ANL/NB and Brite/Dim Switches.

1. Locate Switch PC Board.



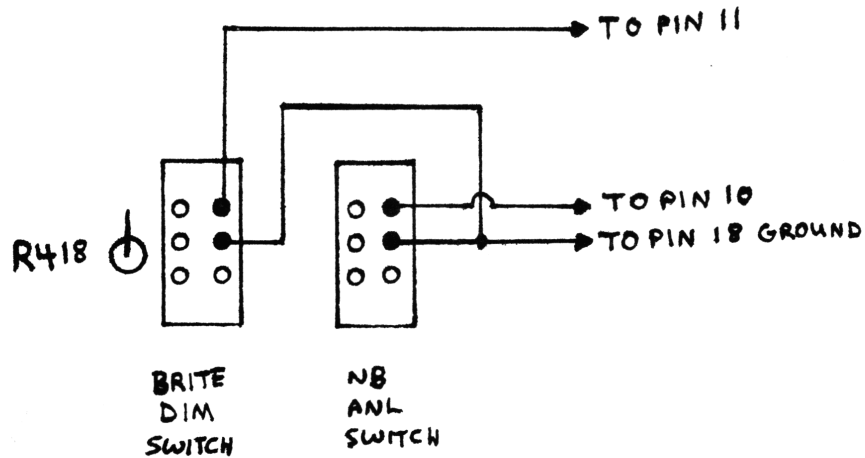
ANL/NB Procedure

2. Clip Red wire at hole 8.
3. Resolder Red wire at Blue wire, hole #6.
4. Clip Red and White wires at holes 10 and 11.
5. Clip shield at hole #9 and remove this complete cable.

Brite/Dim Procedure

6. Clip Red wire @#4 hole.
7. Connect end of Red wire to ground.
8. Clip White wire at hole #3 and terminate.
9. Clip R418 Resistor next to Dim Switch.
Hook up new wires as shown in the following diagram.

Grant
MODEL 1005002
40-Channel AM/SSB Mobile



Here are the frequency combinations:

DIM-NB 26.815 to 27.005 (Lows).

DIM-ANL 27.455 to 27.725 (Intermediate).

BRITE-NB Normal.

BRITE-ANL 27.605 to 28.045 (Highs).

Now the meter light and channel LED's will always be on bright and NB is always on.

This makes a neat frequency conversion without using extra "tattle tale" switches and offers front panel convenience and driving safety.



PRESIDENT™
Engineered to be the very best.